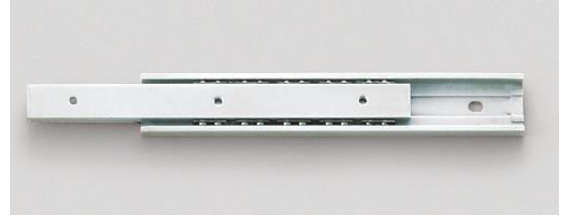


GARW2-16 2 Way Travel Full Extension Mini Slide

Max load 7kg · 2 way travel

Features

- 3/4 extension (2 members)
- Retainer allows smooth movement
- Only 16 mm in height with small deflection, suitable for various applications
- Light weight outer and inner members made of aluminium alloy extruded material
- Passed 50,000 life cycle test

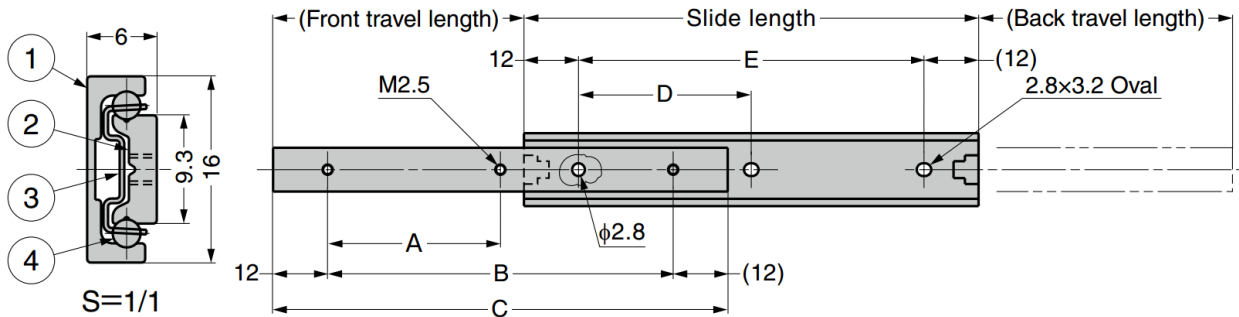


Recommended Screws

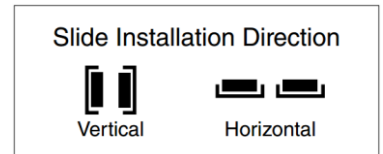
- For outer member: M2.5 low head screw
- For inner member: M2.5 screw

Notes

- Load capacity varies depending on installation method (vertical/horizontal) - Refer to below table
- Install stopper separately to protect rails and retainers from strong shock



| No. | Part Name | Material | Finish |
|-----|--------------|-----------------|-----------------------|
| ① | Outer Member | Aluminium Alloy | Anodised Silver |
| ② | Inner Member | | |
| ③ | Retainer | Steel (SECC) | (Zinc Chromate Steel) |
| ④ | Balls | Steel (SWCH) | - |



Sold in pieces

| Part No. | Slide Length | Travel Length | | A | B | C | D | E | Load Capacity (pair) | | | |
|--------------|--------------|---------------|------|----|-----|-----|----|-----|-----------------------|------|-------------------------|--------|
| | | Front | Back | | | | | | Vertical Installation | | Horizontal Installation | |
| GARW2-16-70 | 70 | 32 | 32 | - | 46 | 70 | - | 46 | 29 N | 3 kg | 11 N | 1.1 kg |
| GARW2-16-100 | 100 | 40 | 40 | 38 | 76 | 100 | 38 | 76 | 49 N | 5 kg | 20 N | 2 kg |
| GARW2-16-150 | 150 | 79 | 79 | 63 | 126 | 150 | 63 | 126 | 69 N | 7 kg | 30 N | 3.1 kg |